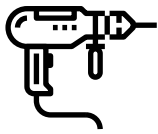


SINGLE SIDED ILLUMINATED LIGHTBOX FITTING INSTRUCTIONS



Tools Required

- Drill with a 13mm metal drill bit
- 18mm spanner
- Pozidriv Screwdriver
- Flat bladed screwdriver or similar to prise up the trim
- Suitable drill bit and fixings (depending on type and location of installation) to attach the lightbox to the wall .



Instructions

Once unpacked, open the lightbox:

Remove the 2 screws using a Pozidriv screwdriver from the end trim. See Fig 1.

Gently prise the trim upwards at each end using a flat bladed screwdriver or similar, taking care not to scratch the trim or panel. See Fig 2.

Once the trim has been removed, the panel can be slid out and any graphics required added.

Remove the cable and cable gland (taped to the back panel).

Drill a hole in the frame in an appropriate place (depending on installation location) using a 13mm metal drill bit.

Unscrew the nut and the cap from the cable gland. Place the cable through the nut, the hole in the lightbox, the gland and then the cap. Tighten both ends by hand and then using a 15mm spanner, tighten the nut to secure the gland in place.

To wall mount the lightbox, drill holes through the back panel and use appropriate fixings depending on installation location.

To close the lightbox, slide the panel back in, push the trim into place and replace the 2 screws.

Consult a qualified electrician to complete wiring the lightbox to a power supply.

Fig 1

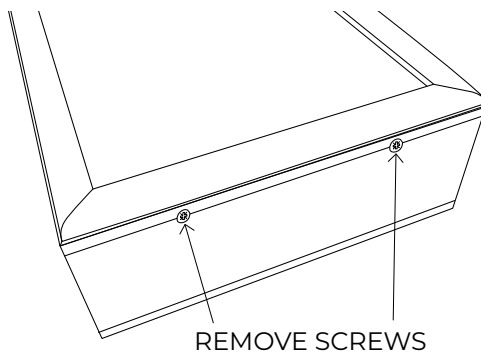


Fig 2

